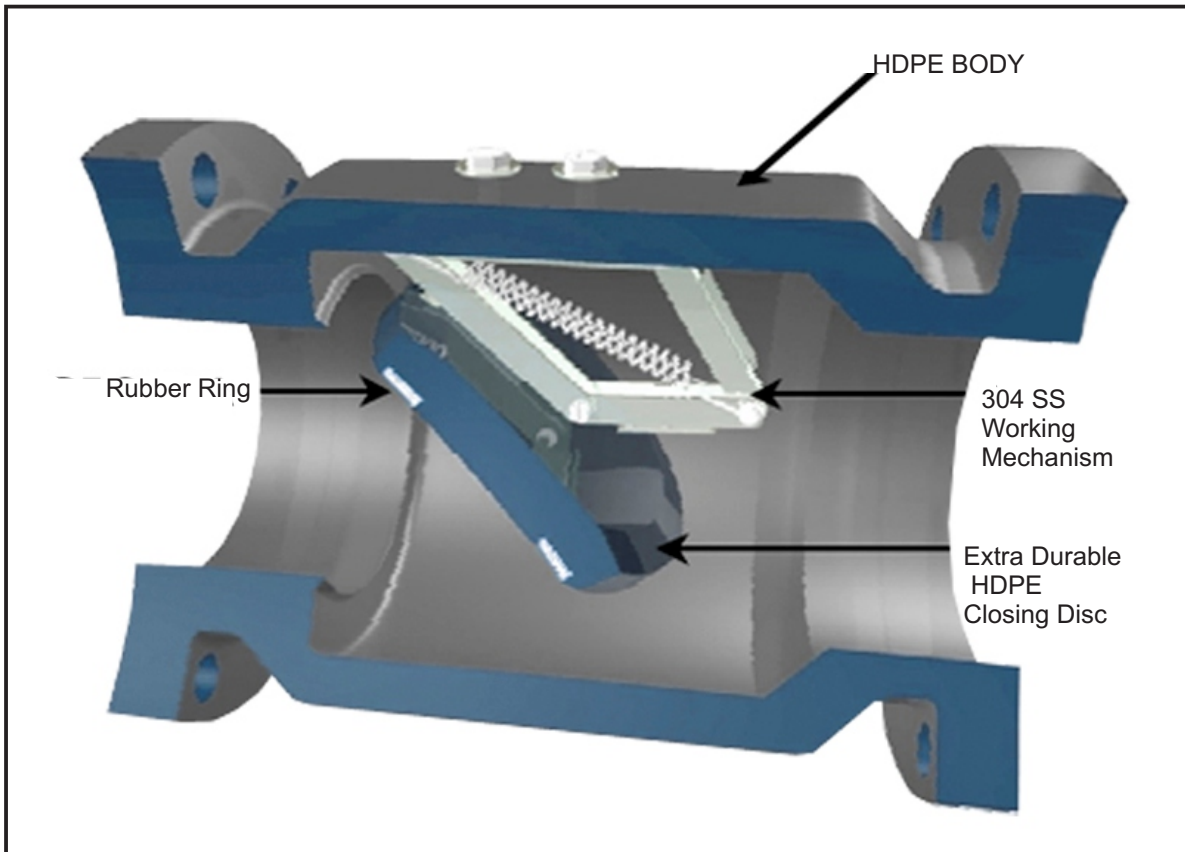


POLYCHECK VALVE

ALSA



IMPORTANT CHARACTERISTICS OF THE HDPE CHECK VALVE

1. Valve Body made of High Density Polyethylene (HDPE).
2. The closing mechanism is designed to close a moment before the flow is reversed. This action decreases the loud hammering sound of water hammer. The flap cannot jam in the open position.
3. All the working mechanism is made of 304 SS/
4. The closing contact of the disc is performed by HDPE and rubber, eliminating wear and tear.
5. The disc is made of extra durable HDPE, will not drip or stick.
6. The comprehensive design of the valve body allows a flow without restrictions.
7. Regardless of the position in which you install, horizontal, vertical, or inclined, the check valve will operate normally and effectively.
8. Easy inspection and maintenance due to its simple design.
9. Maximum working pressure of 150 psi (10.5 Bar)
10. Completely resistant all kinds of corrosion.
11. Can be used as check of foot valve (Check valve and Screen)